

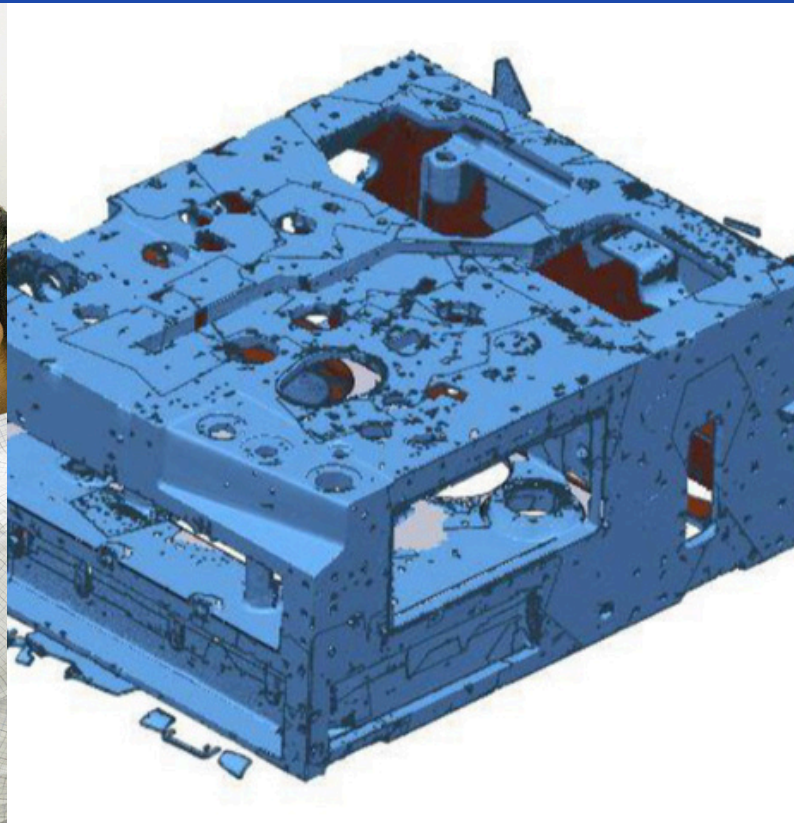
# Reverse Engineering of an SPM

SPM: Tobacco Processing Machine

Location: Hyderabad, India

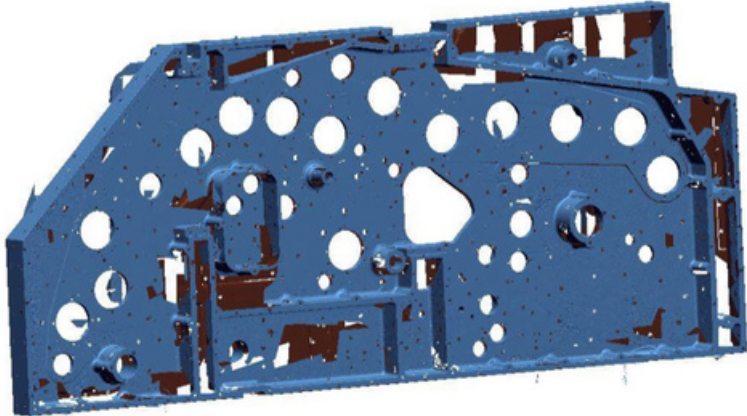
Scanner: Zeiss COMET L3D

Output: STEP

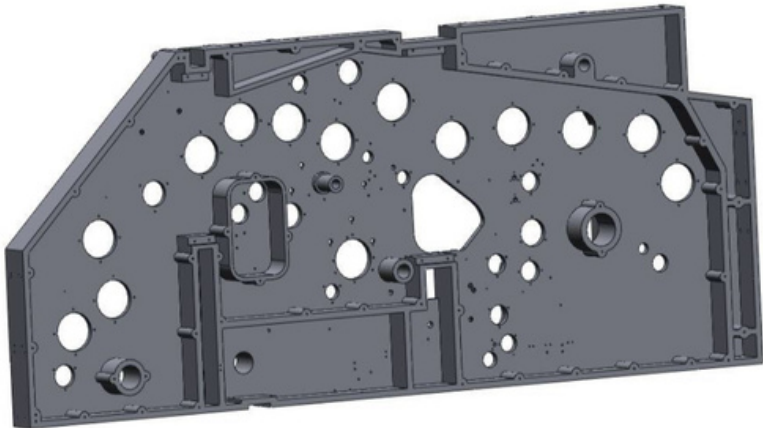


# Reverse Engineering of an SPM

Scan Data:

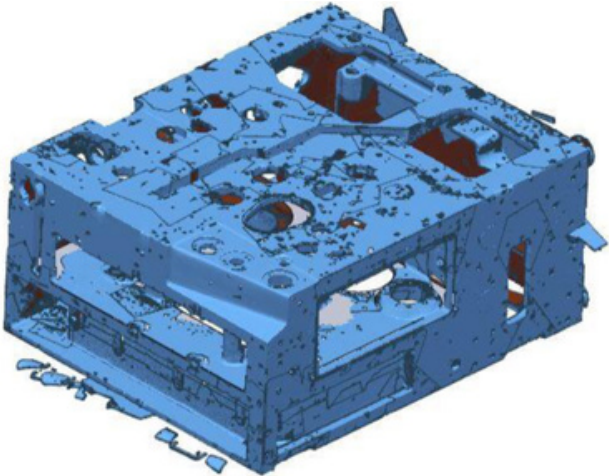


CAD Model:

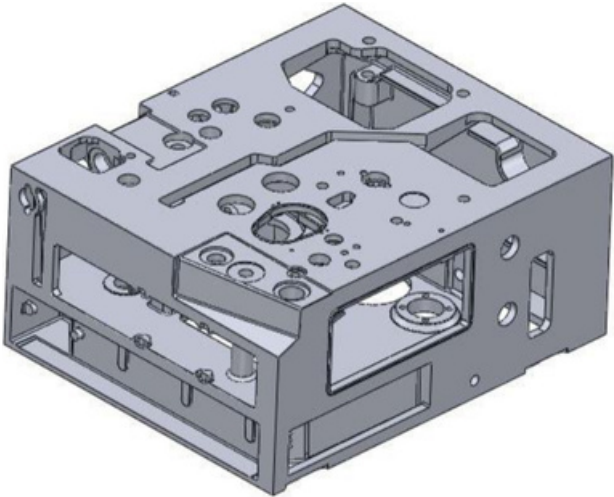


# Reverse Engineering of an SPM

Scan Data:

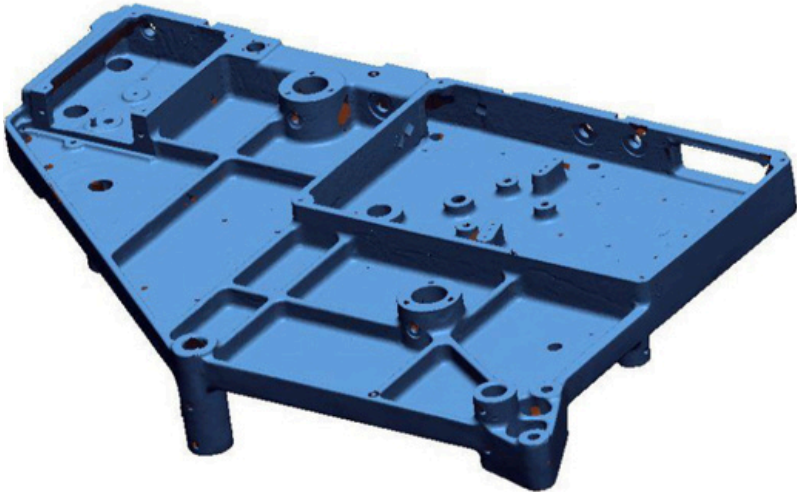


CAD Model:

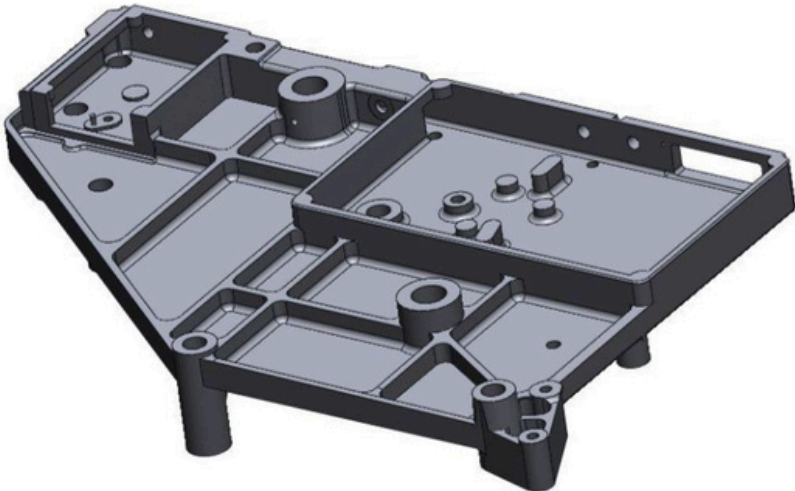


# Reverse Engineering of an SPM

Scan Data:

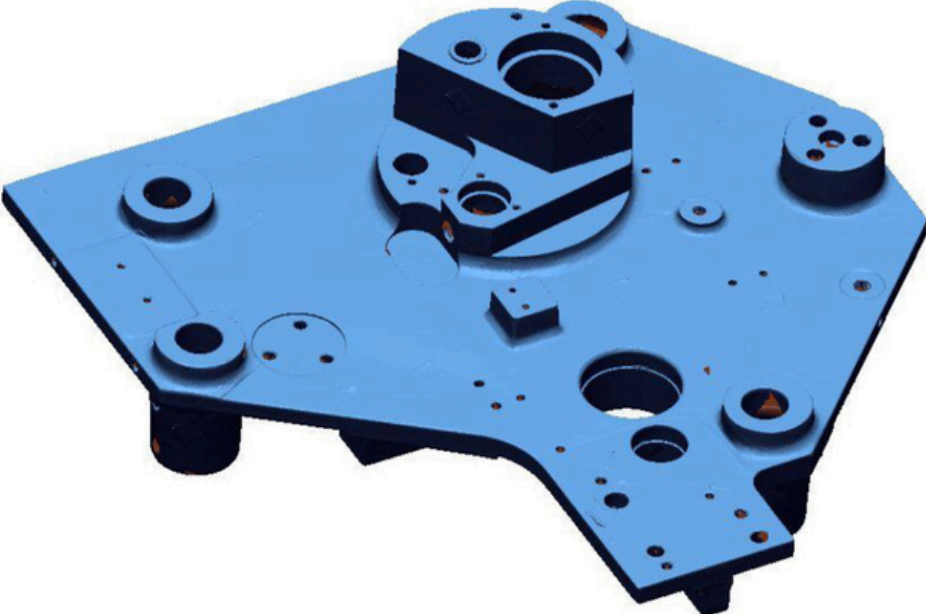


CAD Model:

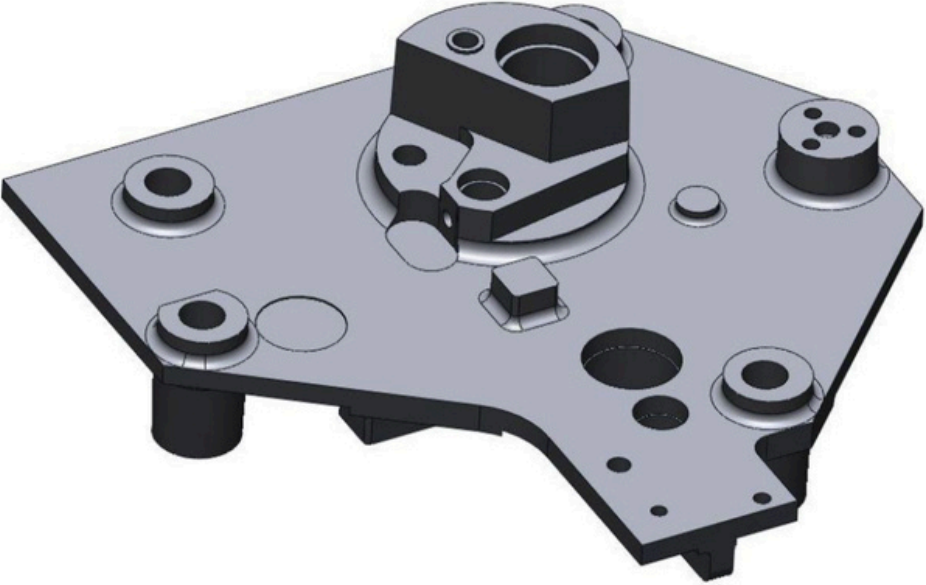


# Reverse Engineering of an SPM

Scan Data:

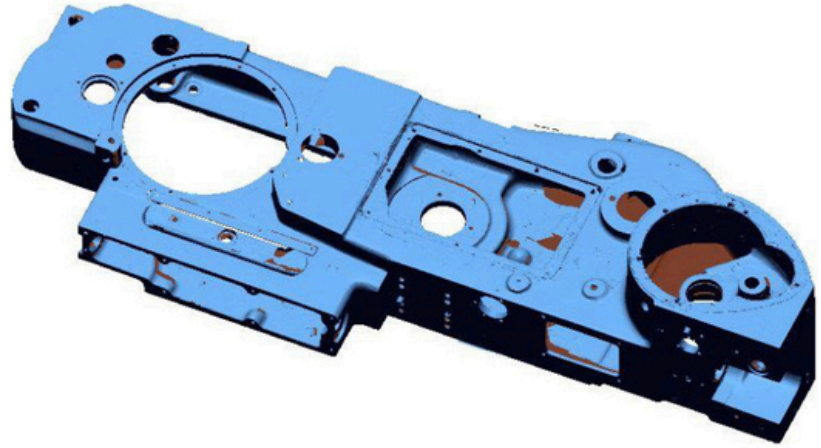


CAD Model:

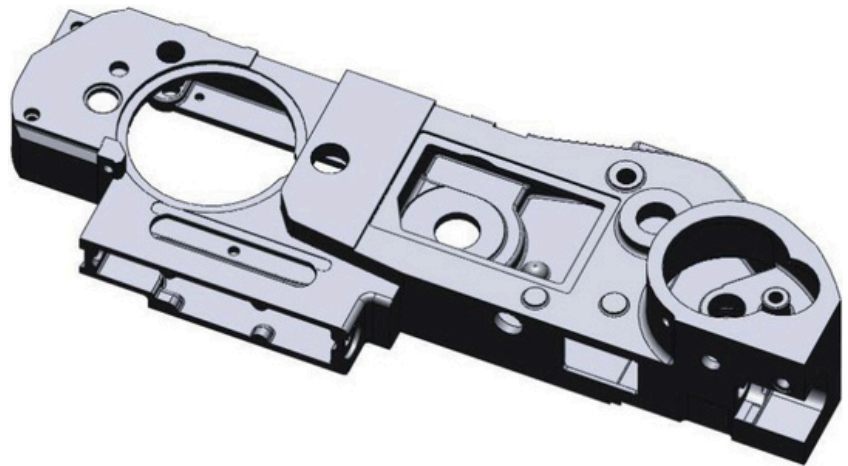


# Reverse Engineering of an SPM

Scan Data:



CAD Model:

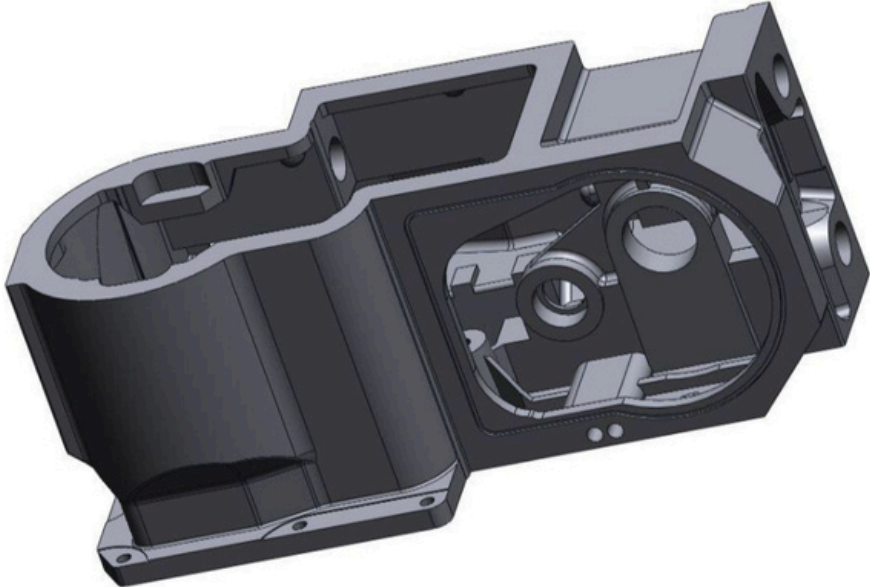


# Reverse Engineering of an SPM

Scan Data:



CAD Model:



# Reverse Engineering of an SPM

## Contact:

- email: [andrew@egidalabs.com](mailto:andrew@egidalabs.com)
- phone: +1 (925) 263-6765
- website: <https://www.egidalabs.com>